

INSTALLATION INSTRUCTIONS

CUSTOMER SERVICE

Phone: 866-900-8800 • 8:30 am - 5:00 pm Mon - Fri CST

Email: info@undercoverinfo.com



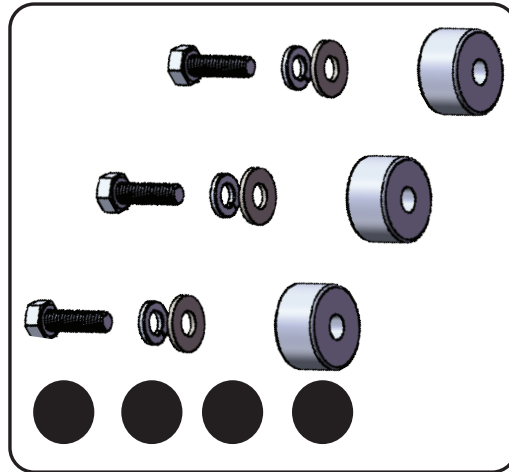
MODEL SPECIFIC GUIDE

HIDDEN HINGE VERSION

Model 8016 Honda Ridgeline 2016-Current

Ridgeline hardware

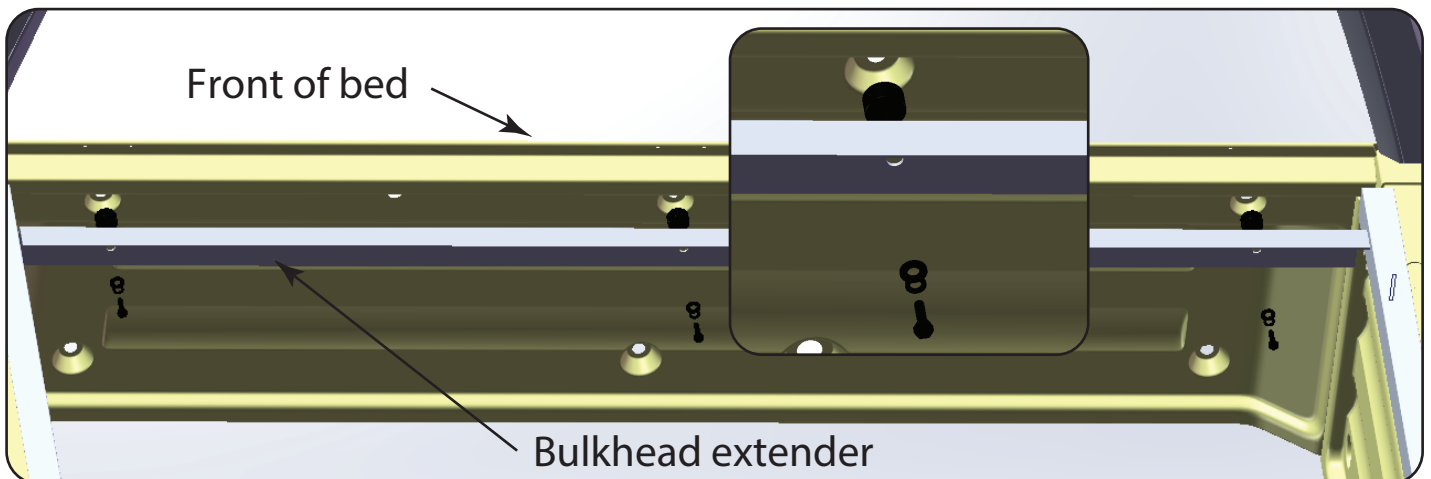
- A:** Mounting bolts x3
- B:** Lock washers x3
- C:** Flat washers x3
- D:** Spacers x3
- E:** Bulkhead extender (Below)
- F:** Mounting rails (not pictured)



RE: Step 2 on the Quick Start Guide

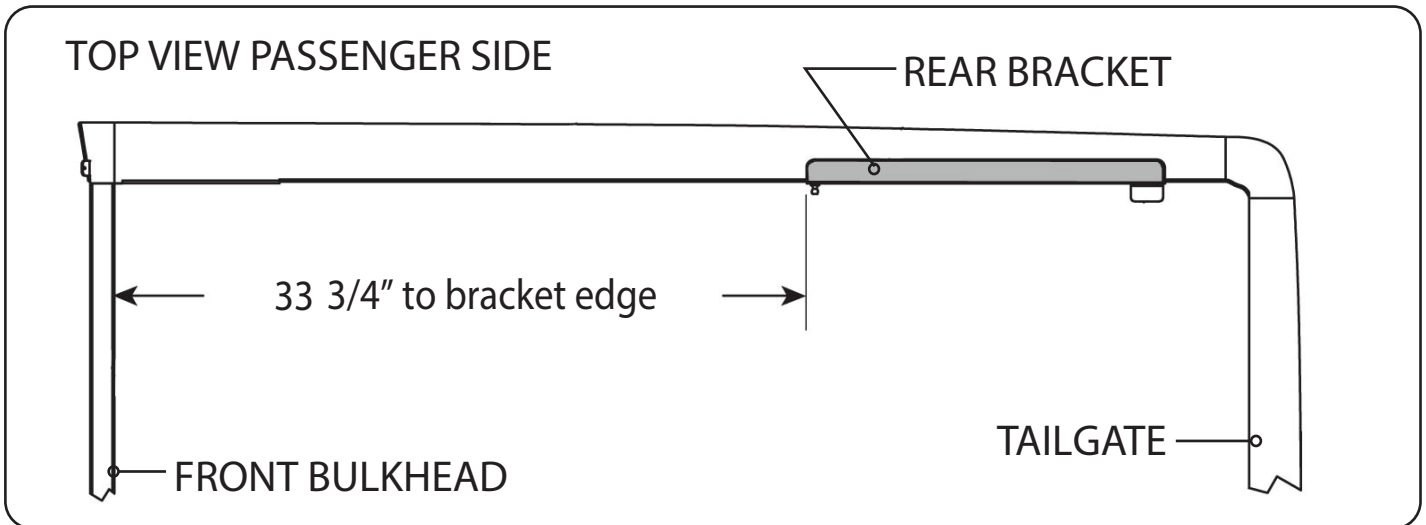
Install mounting rails, refer to mounting rail instructions included with mounting rail kit.

Install bulkhead extender according to drawing below.



RE: Step 2 on the Quick Start Guide

Measurement for the rear mounting bracket is 33 3/4" from the back side of the bulkhead to the front edge of the bracket.



RE: Step 3 on the Quick Start Guide

Measurement for the front mounting bracket is 18 1/4" from the the back side of the bulkhead to the end of the bracket.

The fit of the cover to the truck bed is determined by the front mounting brackets. This measurement is a good starting point. Unfortunately not all truck beds are assembled 100% square, so some adjustments may be necessary after the cover is set on the truck.

